

PULSEJACK™

2XN RJ45 Connector

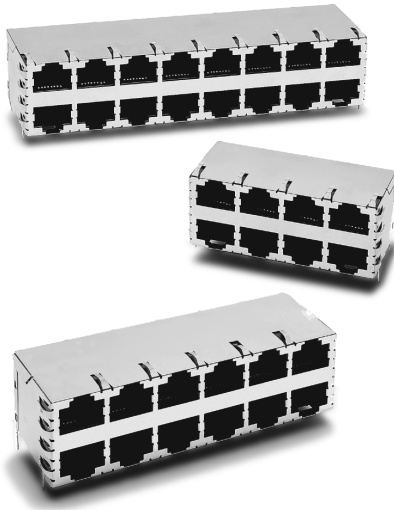


www.pulseeng.com

Description:

10/100 Base-TX RJ45 2XN Tab-UP with or without LEDs (J2 series) integrated magnetics connector (ICM), designed to support applications, such as Hub and Switches and Power over Ethernet enabled switch/hub systems.

Features and Benefits:



- Ⓞ RoHS peak wave solder temperature rating 260°C
- Ⓞ 2XN RJ45 with internal magnetics
- Ⓞ Available with or without LEDs
- Ⓞ **Power over Ethernet (PoE) Enabled. Compatible to IEEE 802.3af standard**
- Ⓞ Suitable for CAT 5 & 6 Fast Ethernet Cable or better UTP
- Ⓞ Internal magnetics are 100% electrically tested for HI-POT and functionality

Electrical Performance Summary:

- Ⓞ Internal magnetics options available
- Ⓞ **Meets or exceeds IEEE 802.3i/u/af standard**
- Ⓞ 350µH minimum OCL with 8mA bias current
- Ⓞ High performance for maximum EMI suppression
- Ⓞ **Minimum 1500 Vrms isolation per IEEE 802.3i/u/af requirement**

Electrical Specifications @ 25°C — Operating Temperature 0°C to +70°C

RoHS Compliant	No. of Ports	Turns ² Ratios		LEDs ³	PoE ⁴ Enabled	Insertion Loss (dB TYP)	Return Loss (dB TYP) 100Ω ±15Ω					Crosstalk (dB TYP)			Common Mode Rejection (dB TYP)	
		TX	RX				L/R	1-65 MHz	1-10 MHz	10-30 MHz	30-60 MHz	60-80 MHz	1-30 MHz	30-60 MHz	60-100 MHz	1-50 MHz
J2039H3 (A,B,C)NL	8,12,16	1CT:1CT	1CT:1CT	None	No	-1	-20	-16	-12	-12	-40	-35	-30	-30	-20	
J2042H3 (A,B,C)NL	8,12,16	1CT:1CT	1CT:1CT	None	No	-1	-20	-16	-12	-12	-40	-35	-30	-30	-20	
J2045H3 (A,B,C)NL	8,12,16	1CT:1CT	1CT:1CT	None	No	-1	-20	-16	-12	-12	-40	-35	-30	-30	-20	
J20-0013NL	4	1CT:1CT	1CT:1CT	G/Y, G/Y	No	-1	-20	-16	-12	-12	-40	-35	-30	-30	-20	
J20-0014NL	8	1CT:1CT	1CT:1CT	G/Y, G/Y	No	-1	-20	-16	-12	-12	-40	-35	-30	-30	-20	
J20-0015NL	12	1CT:1CT	1CT:1CT	G/Y, G/Y	No	-1	-20	-16	-12	-12	-40	-35	-30	-30	-20	
J20-0016NL	16	1CT:1CT	1CT:1CT	G/Y, G/Y	No	-1	-20	-16	-12	-12	-40	-35	-30	-30	-20	
J20-0017NL	8	1CT:1CT	1CT:1CT	None	Yes	-1	-20	-16	-12	-12	-40	-35	-30	-30	-20	
J20-0019NL	12	1CT:1CT	1CT:1CT	None	Yes	-1	-20	-16	-12	-12	-40	-35	-30	-30	-20	

Notes:

1. Part numbers code (A,B,C, D): A = 2x4, B = 2x6, C = 2x8, D = 2x2
2. Both transmit and receive channels meet IEEE 802.3 specifications.
3. Bi-color LEDs: G = green; Y = yellow for each port
4. PoE = Power over Ethernet Compatible product, compliant to IEEE 802.3af standard, providing minimum 1.5Kv isolation
5. Contact Pulse for PoE enabled product with LEDs.

RJ45 Durability Testing Rating

Part Number	Mating Force (MAX)	Unmating Force (MAX)	Durability	Plug to Jack Retention (MIN)
J2 Series	5lbs./2.268kgs.	5lbs./2.268kgs.	750 Insertions	20lbs./9.072kgs.

RJ45 Material Specification

Part Number	Shield		Contact			Housing	
	Material	Finish	Material	Plating Area	Solder Area	Material	Specification
J2 Series	Brass	10-20m inches Nickel over 10-20m inches Brass	Phosphor Bronze	Nickel underplating and selective gold plating 30µ inches	Tin matte finish	Thermoplastic	UL 94 V-0

Notes: 1. All connector part numbers starting with the series prefix J2 comply to the above limits. 2. Connector dimensions comply with FCC dimension requirements.

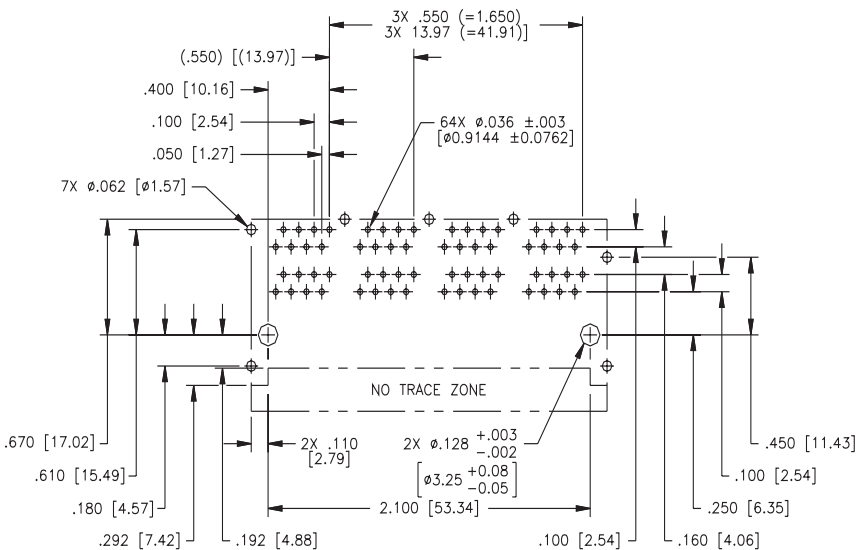
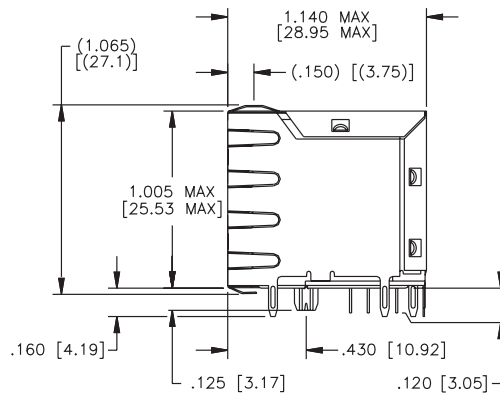
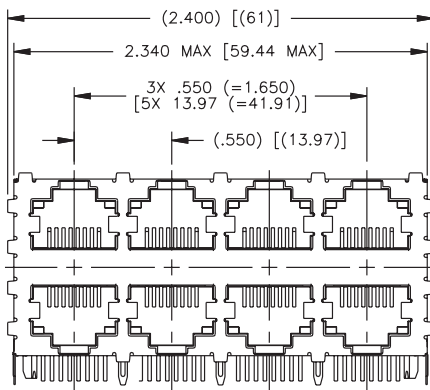
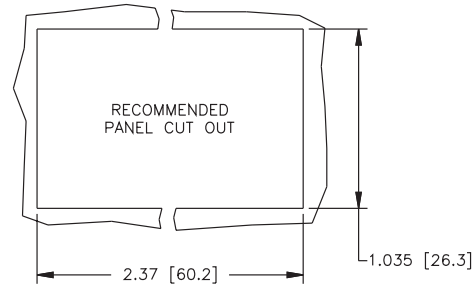
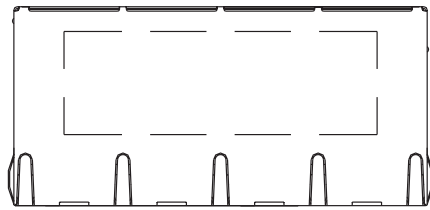
USA 858 674 8100 • Germany 49 7032 7806 0 • Singapore 65 6287 8998 • Shanghai 86 21 62787060 • China 86 755 33966678 • Taiwan 886 3 4643715

PULSEJACK™

2XN RJ45 Connector

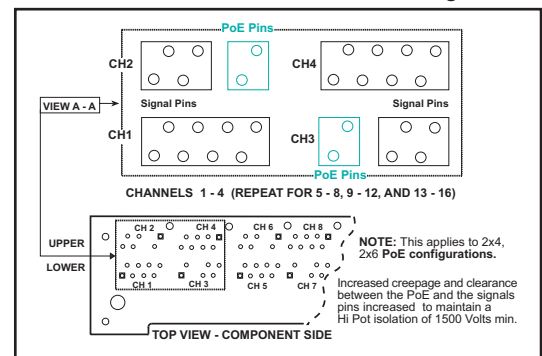
J2 Series (No LEDs) Mechanicals (available PoE Enabled)

2 X 4



SUGGESTED PC BOARD LAYOUT VIEWED FROM COMPONENT SIDE
UNLESS OTHERWISE SPECIFIED DIMENSIONAL TOLERANCE IS ±.002

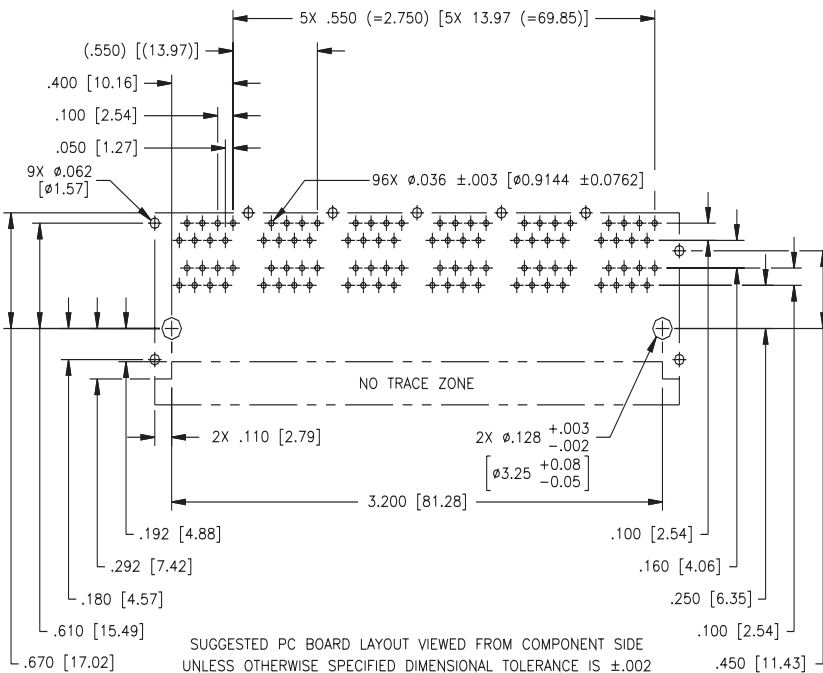
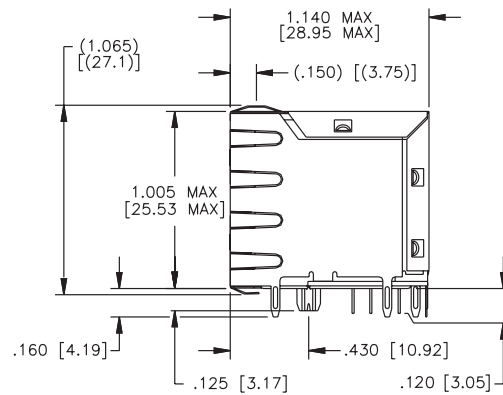
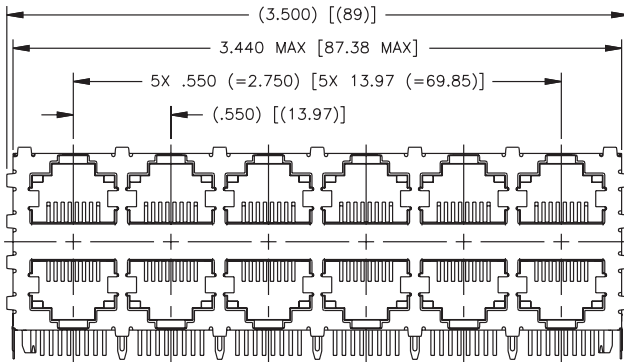
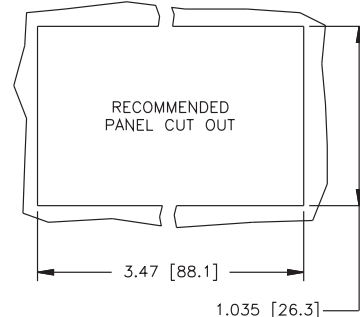
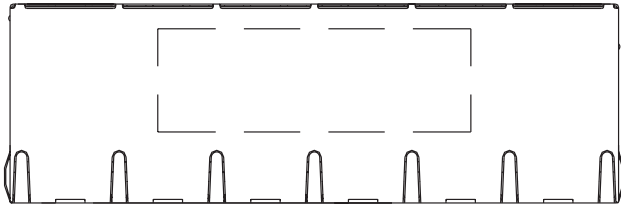
PoE Enabled Connector Pin Out Assignment



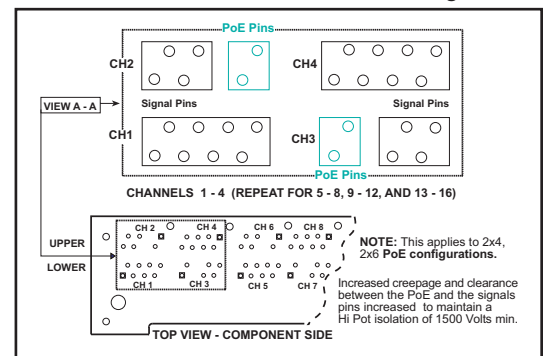
Dimensions: $\frac{\text{Inches}}{\text{mm}}$
Unless otherwise specified,
all tolerances are $\pm \frac{.010}{.25}$

J2 Series (No LEDs) Mechanicals (available PoE Enabled)

2 X 6



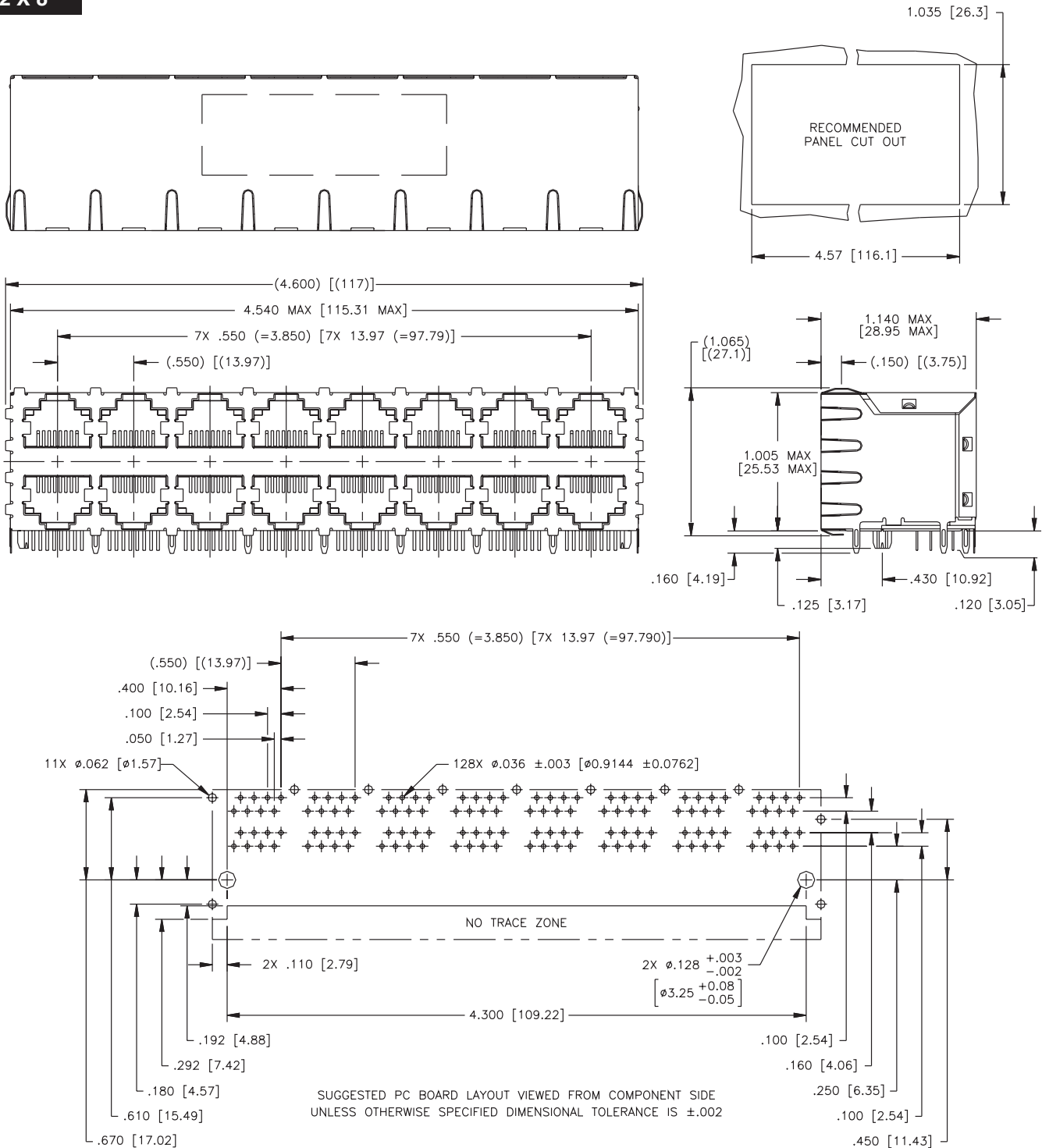
PoE Enabled Connector Pin Out Assignment



Dimensions: Inches
mm
Unless otherwise specified,
all tolerances are ± .010
0,25

J2 Series (No LEDs) Mechanicals (not PoE Enabled)

2 X 8

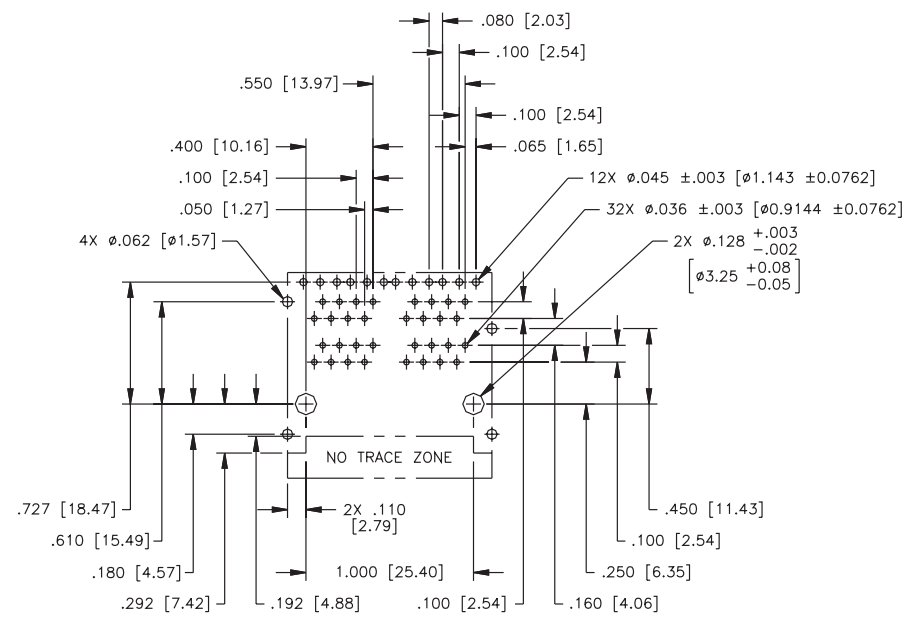
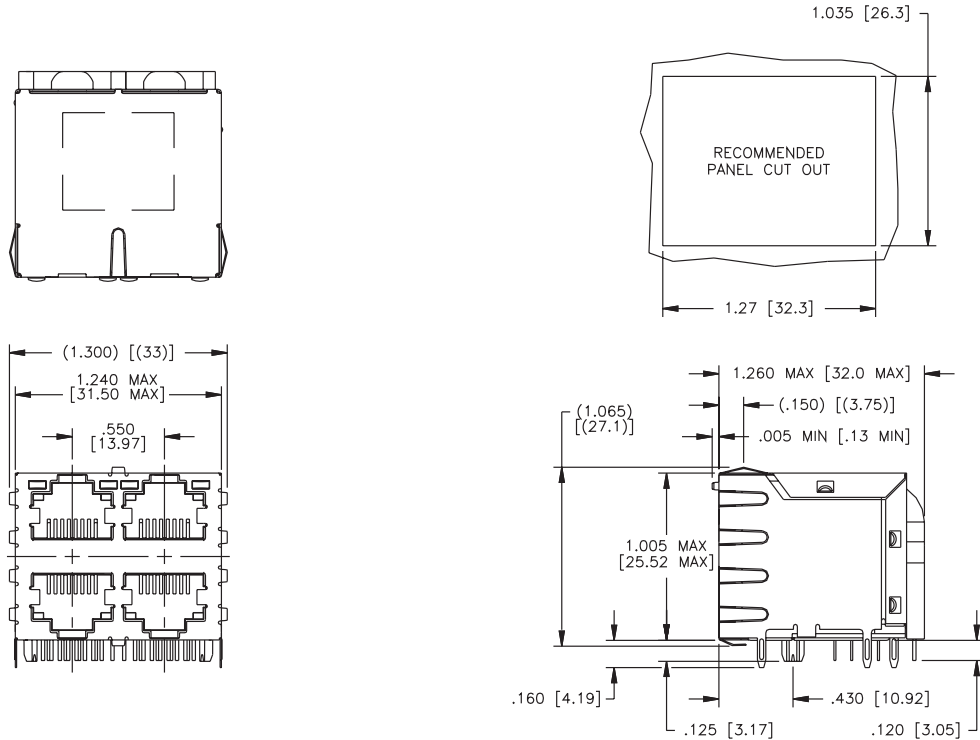


Dimensions: $\frac{\text{Inches}}{\text{mm}}$

Unless otherwise specified, all tolerances are $\pm \frac{.010}{.025}$

J2 Series (With LEDs) Mechanicals (not PoE Enabled)

2 X 2

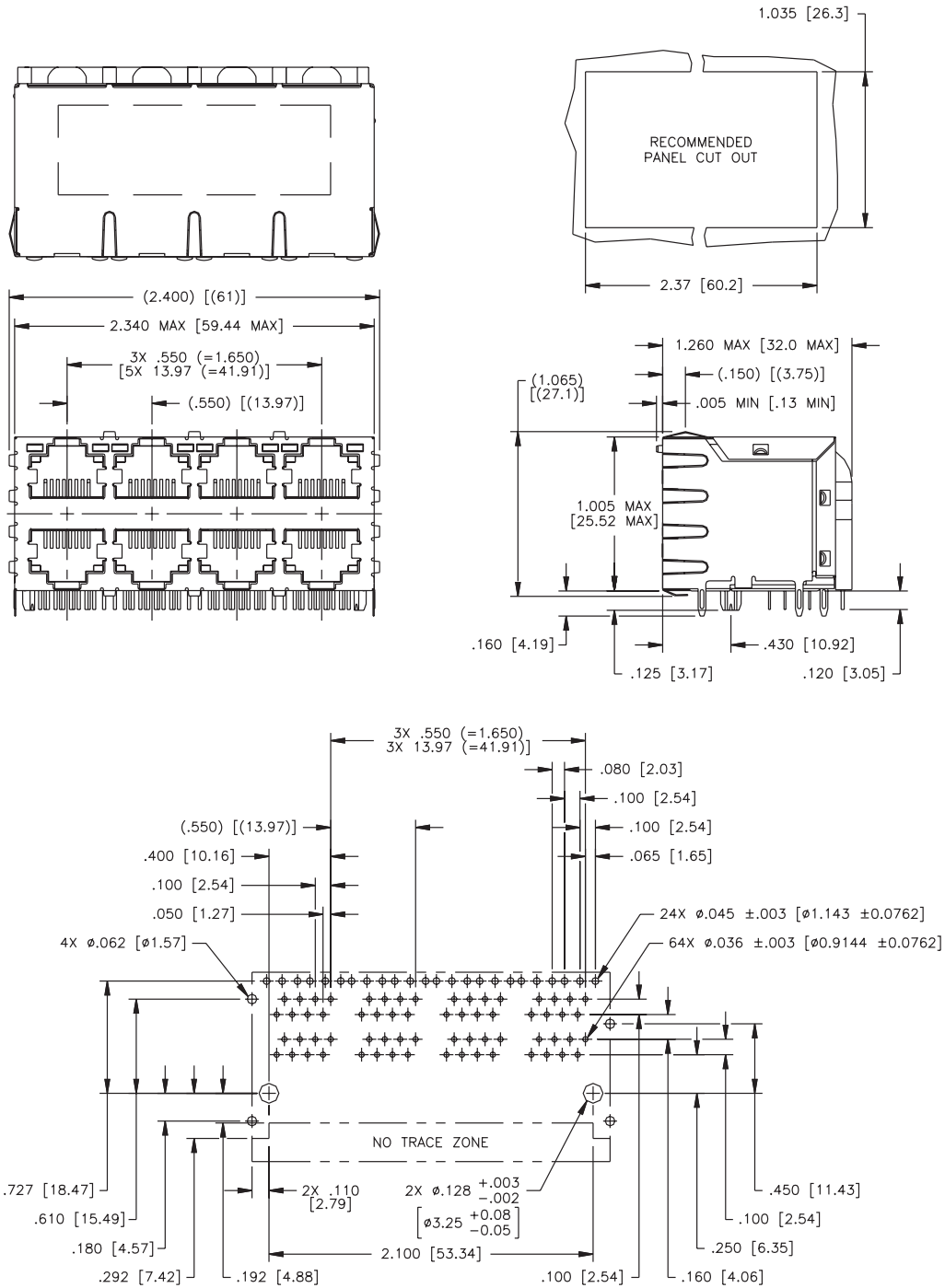


SUGGESTED PC BOARD LAYOUT VIEWED FROM COMPONENT SIDE
UNLESS OTHERWISE SPECIFIED DIMENSIONAL TOLERANCE IS ±.002

Dimensions: Inches
mm
Unless otherwise specified,
all tolerances are ± $\frac{.010}{0,25}$

J2 Series (With LEDs) Mechanicals (not PoE Enabled)

2 X 4

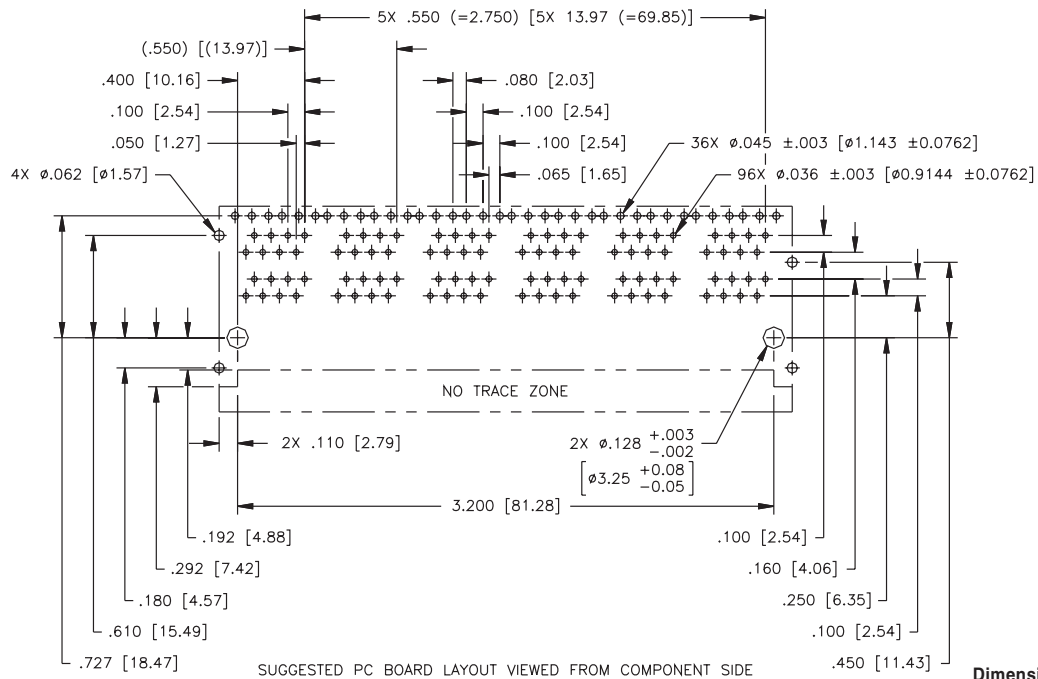
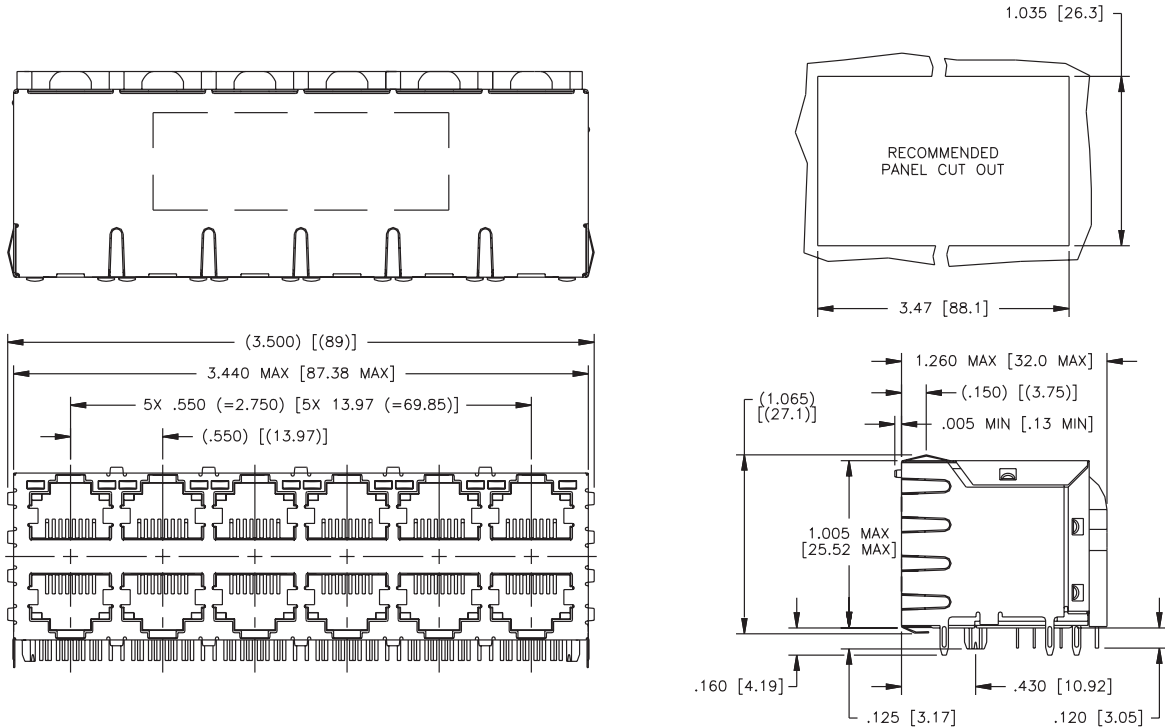


SUGGESTED PC BOARD LAYOUT VIEWED FROM COMPONENT SIDE
UNLESS OTHERWISE SPECIFIED DIMENSIONAL TOLERANCE IS ±.002

Dimensions: Inches
mm
Unless otherwise specified,
all tolerances are ± .010
0,25

J2 Series (With LEDs) Mechanicals (not PoE Enabled)

2 X 6

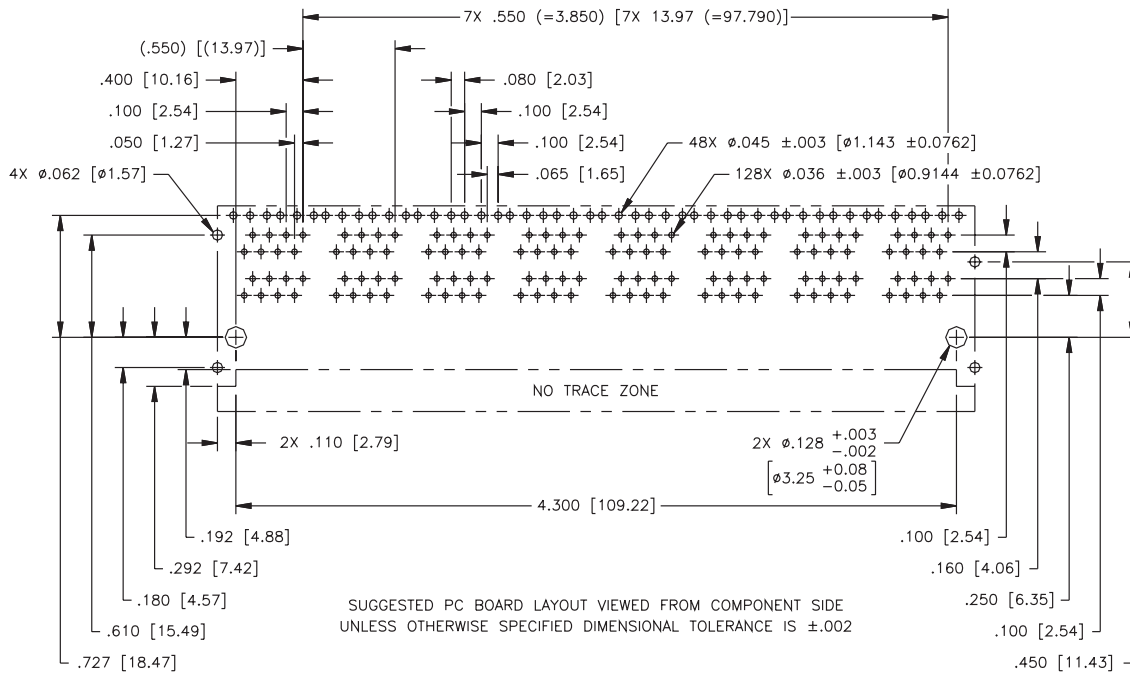
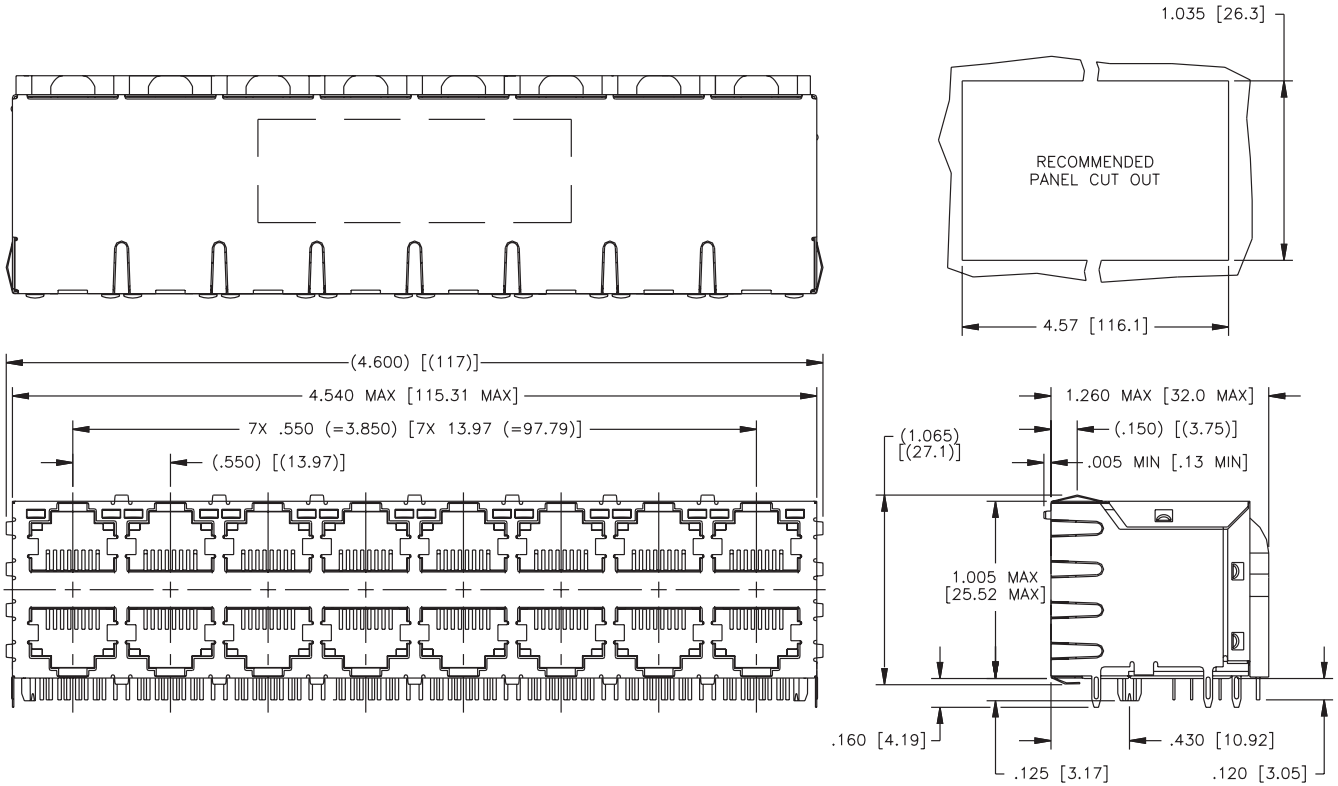


SUGGESTED PC BOARD LAYOUT VIEWED FROM COMPONENT SIDE
UNLESS OTHERWISE SPECIFIED DIMENSIONAL TOLERANCE IS ±.002

Dimensions: Inches
mm
Unless otherwise specified,
all tolerances are ± .010
0,25

J2 Series (With LEDs) Mechanicals (not PoE Enabled)

2 X 8

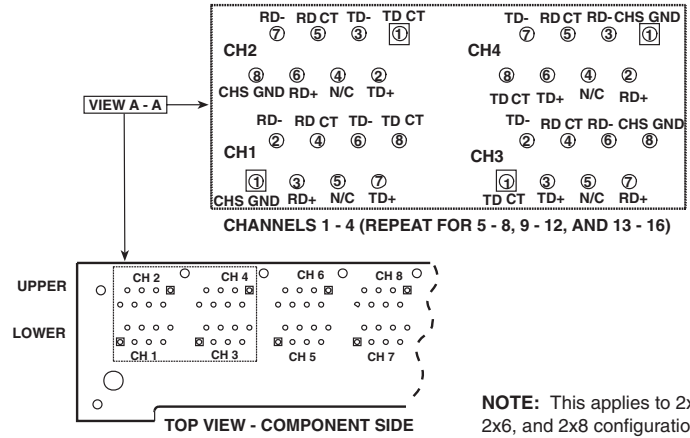
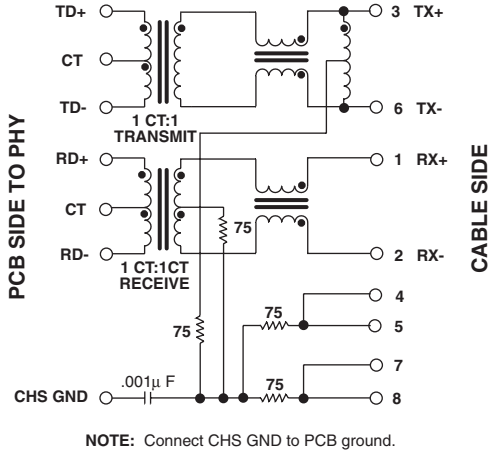


Dimensions: $\frac{\text{Inches}}{\text{mm}}$

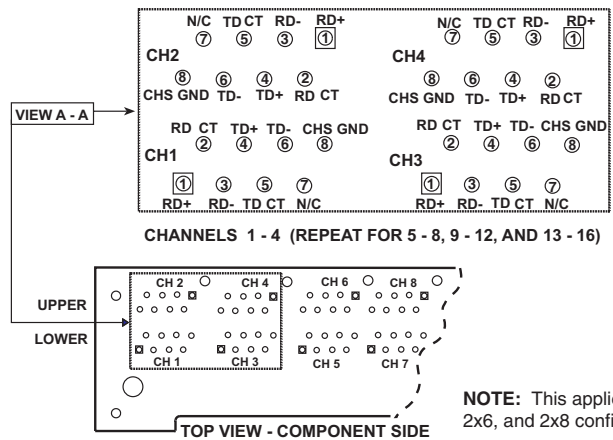
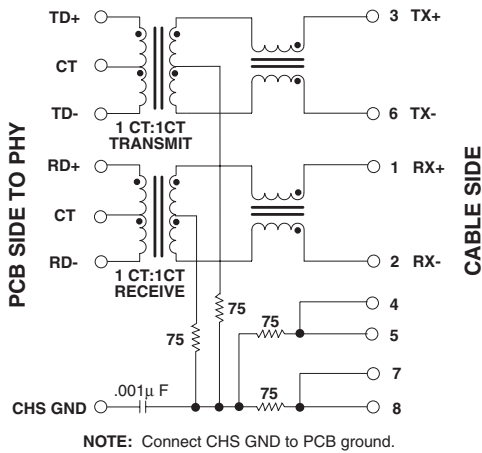
Unless otherwise specified, all tolerances are $\pm \frac{.010}{.025}$

J2 Series (No LEDs) Schematics (not PoE Enabled)

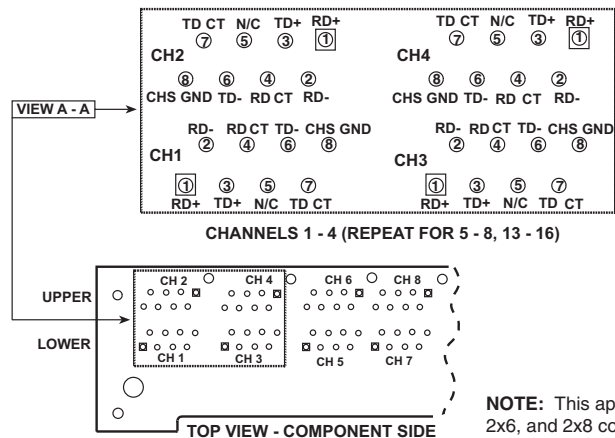
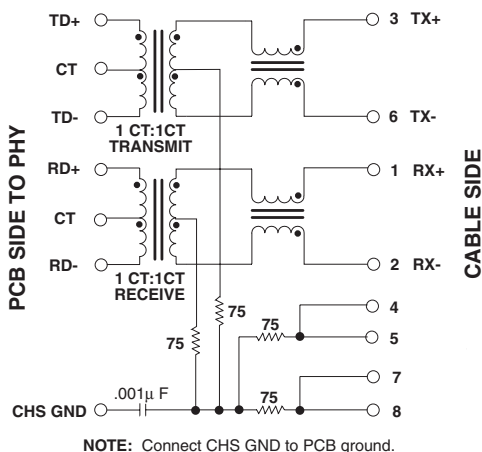
J2039



J2042



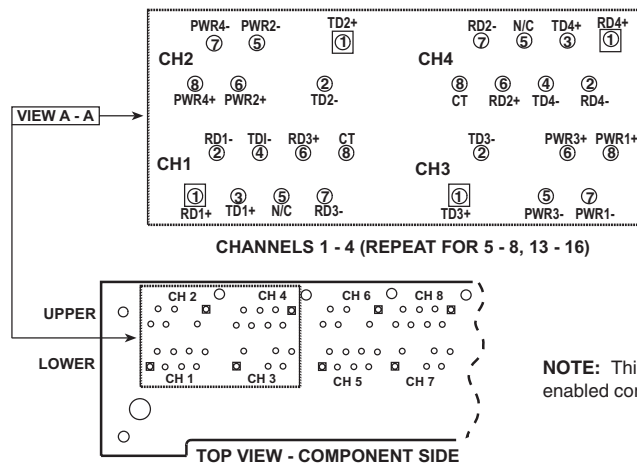
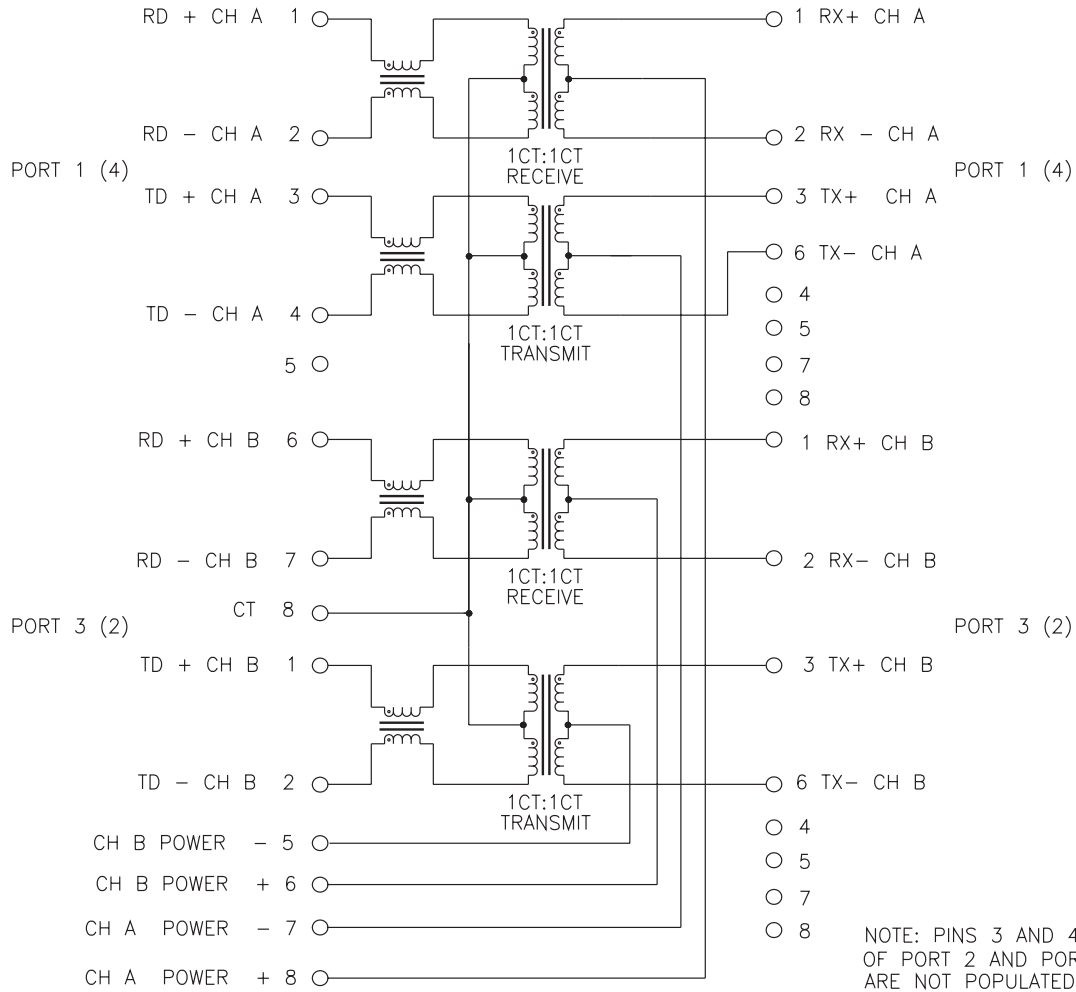
J2045



J2 Series (No LEDs/PoE Enabled) Schematics

J20-0017/19NL

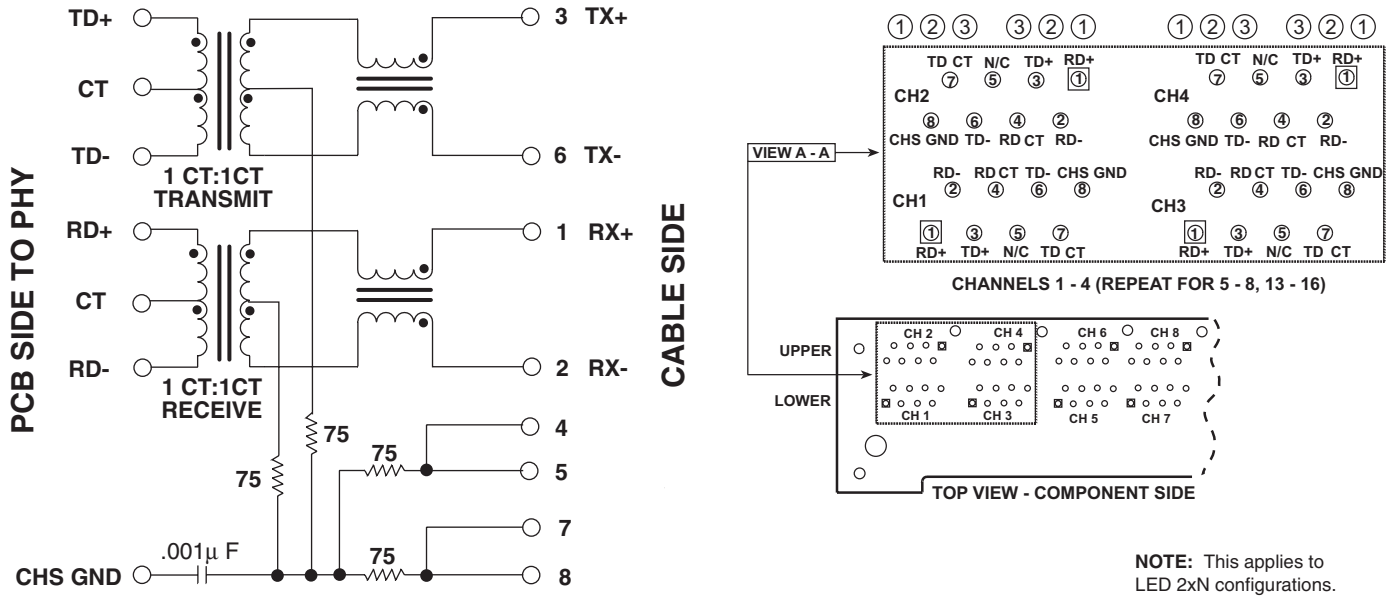
PCB SIDE



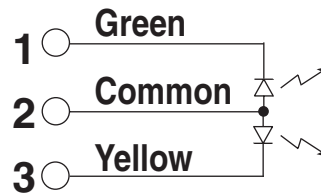
NOTE: This applies to 2xN PoE enabled configurations.

J2 Series (With LEDs) Schematics (not PoE Enabled)

J20-0013/14/15/16NL



LED Configuration



Standard LED Color	LED Wavelength ¹	Forward ² (V MAX)	Typical (V TYP)
Green	560 - 570 nm	2.5	2.1 - 2.2
Yellow	588 - 610 nm	2.5	2.1 - 2.2

1. LED intensity/wavelength measured with Photo Research PR-650 Colormeter
 2. With a forward current of 20 mA

For More Information:

Pulse Worldwide Headquarters	Pulse Europe	Pulse China Headquarters	Pulse North China	Pulse South Asia	Pulse North Asia
12220 World Trade Dr. San Diego, CA 92128 U.S.A.	Einsteinstrasse 1 D-71083 Herrenberg Germany	B402, Shenzhen Academy of Aerospace Technology Bldg. 10th Kejinan Rd. High-Tech Zone Nanshan District Shenzhen, PR China 518057	Room 2704/2705 Super Ocean Finance Ctr. 2067 Yan An Rd. West Shanghai 200336 China	135 Joo Seng Rd. #03-02 PM Industrial Bldg. Singapore 368363	No. 26, Kao Ching Rd. Yang Mei Chen Taoyuan Hsien Taiwan R. O. C.
www.pulseeng.com Tel: 858 674 8100 Fax: 858 674 8262	Tel: 49 7032 7806 0 Fax: 49 7032 7806 135	TEL: 86 755 33966678 FAX: 86 755 33966700	Tel: 86 21 62787060 Fax: 86 2162786973	TEL: 65 6287 8998 FAX: 65 6280 0080	Tel: 886 3 4643715 Fax: 886 3 4641911

Performance warranty of products offered on this data sheet is limited to the parameters specified. Data is subject to change without notice. Other brand and product names mentioned herein may be trademarks or registered trademarks of their respective owners.
 © Copyright, 2009. Pulse Engineering, Inc. All rights reserved.